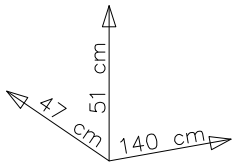
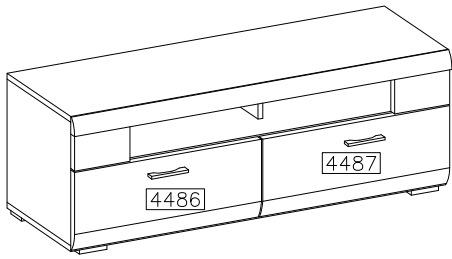
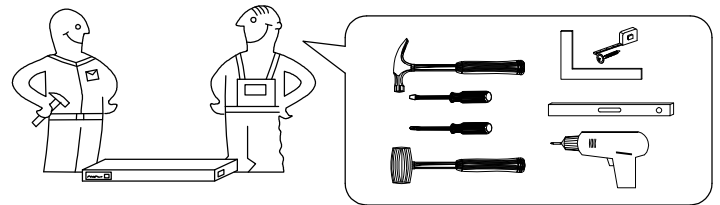
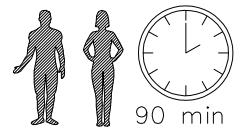
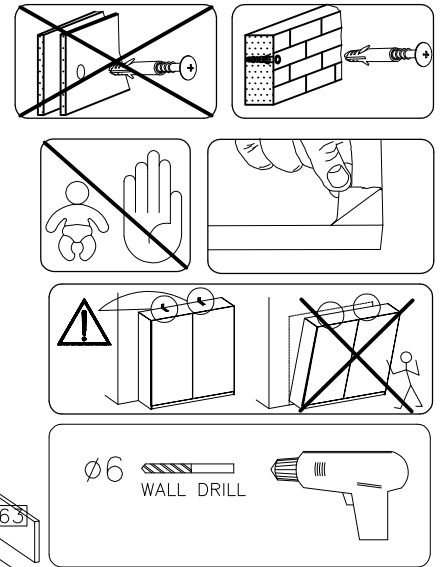
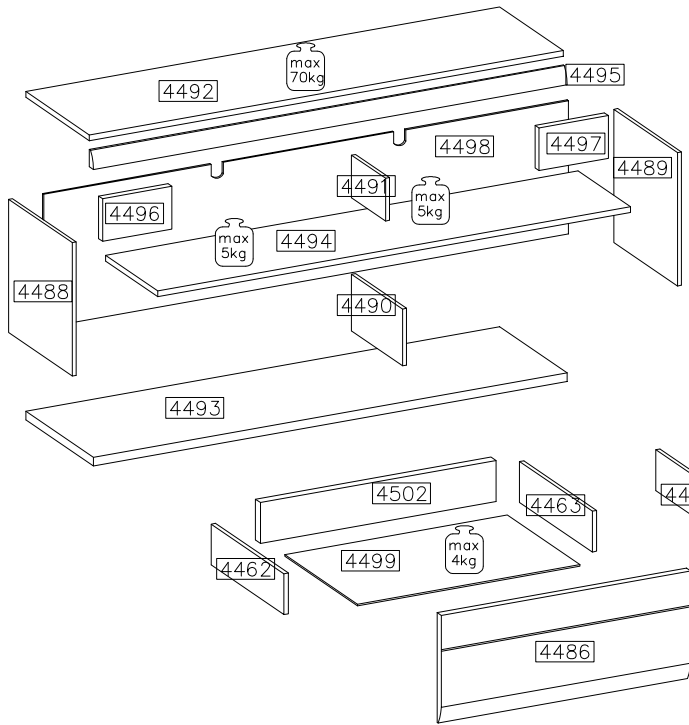
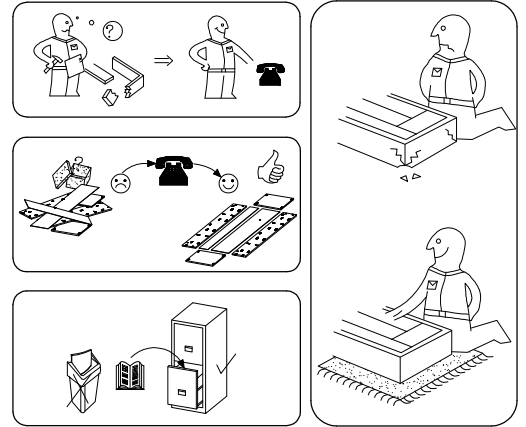


FUN PLUS II

10 A1 MM 31

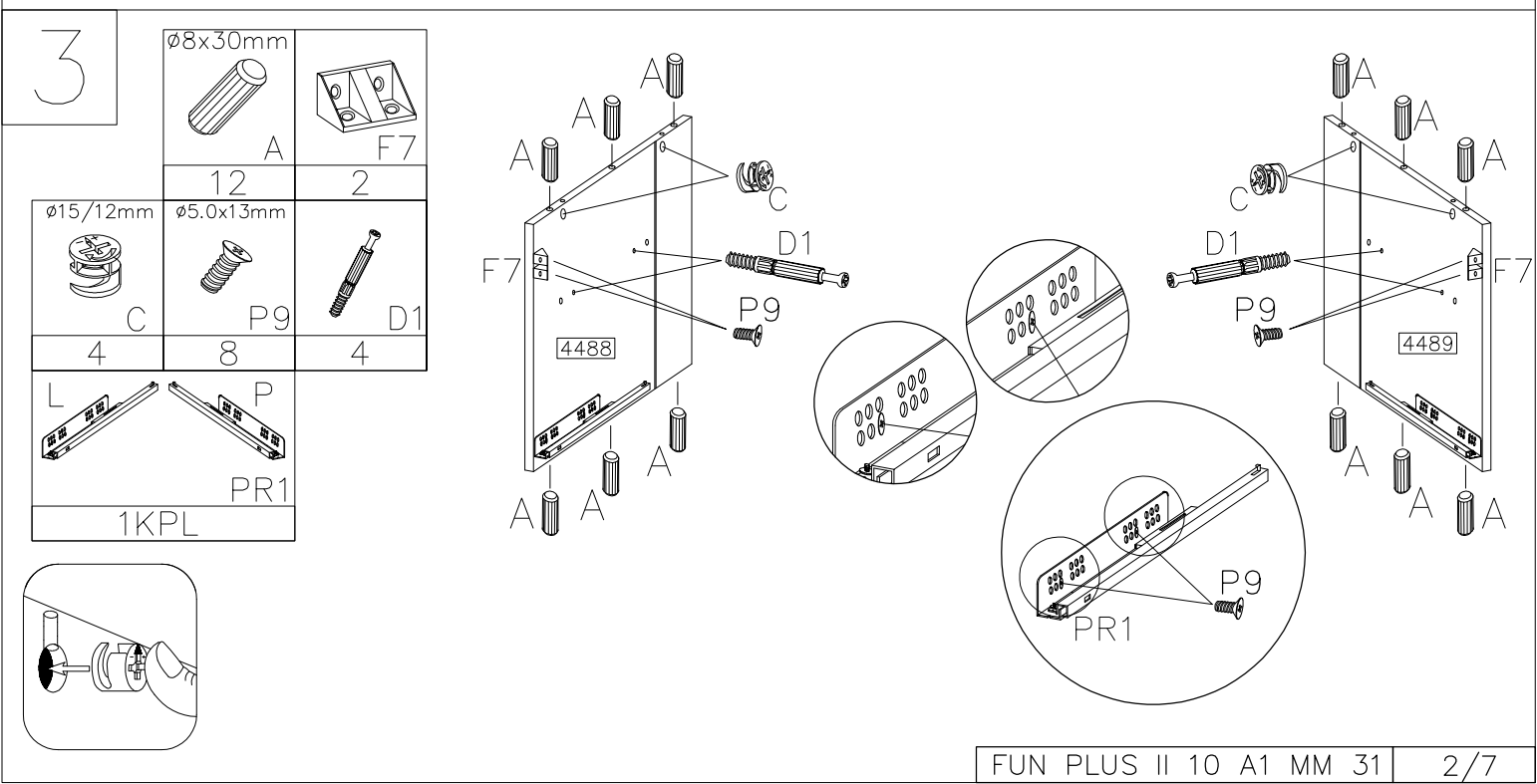
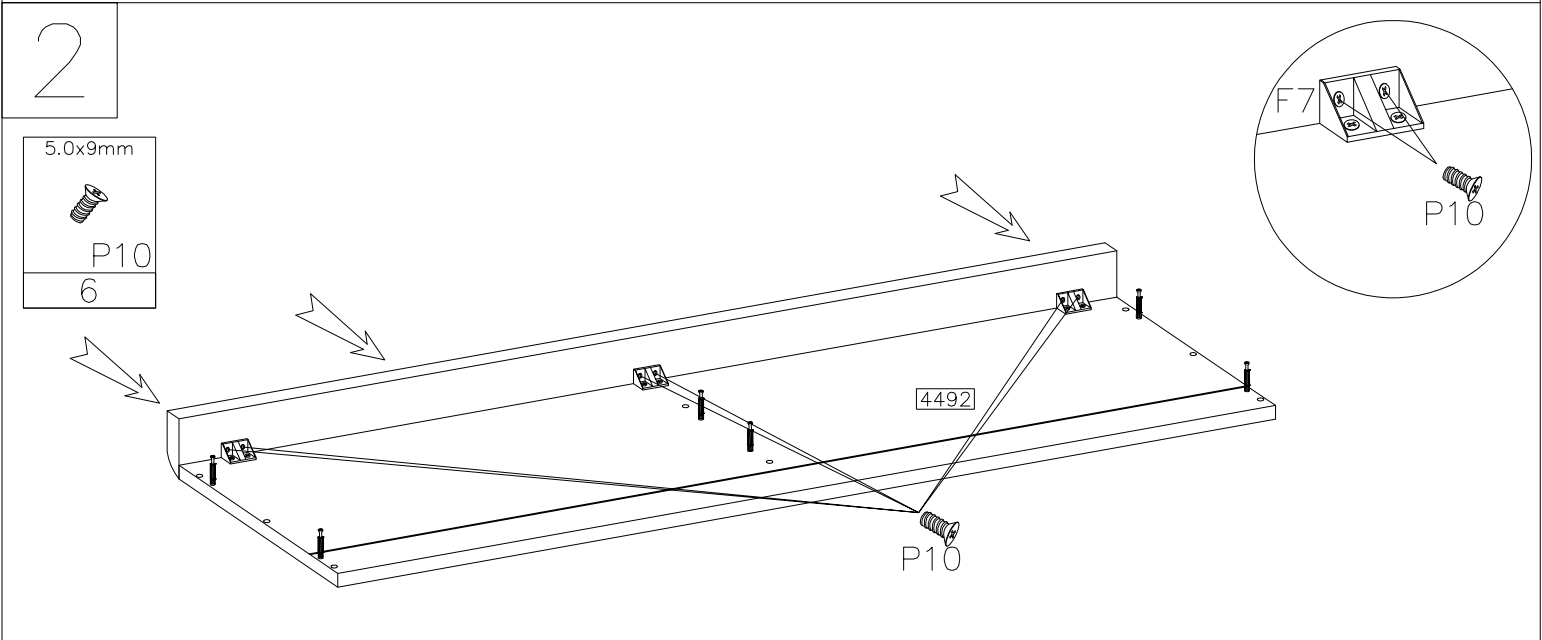
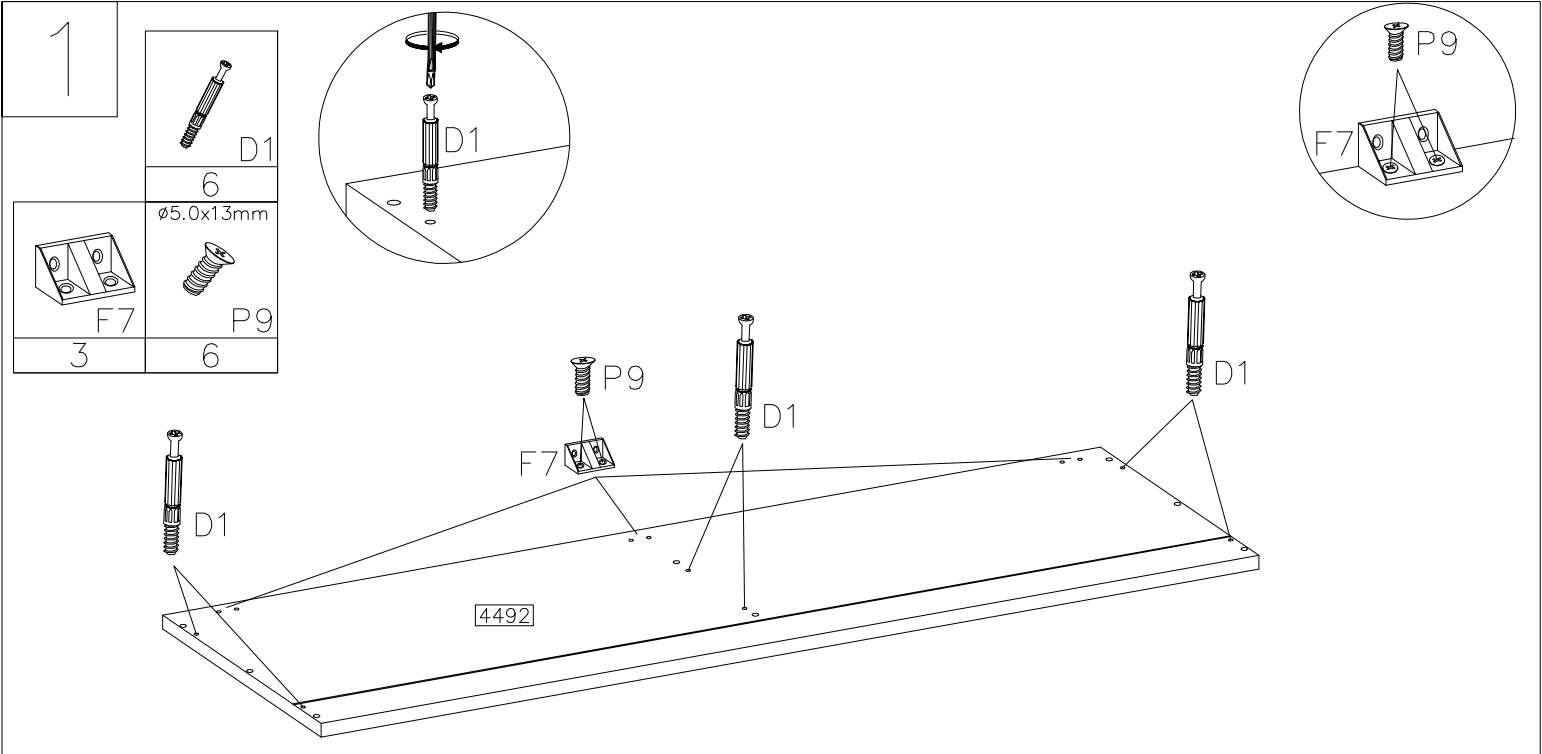


#	ART. NR	L	W	T	Q	Col.No
1	4488	452	451	16	1	1
2	4489	452	451	16	1	1
3	4490	274	371	16	1	1
4	4491	162	250	16	1	1
5	4492	1400	451	16	1	1
6	4493	1400	451	16	1	1
7	4498	467	1383	2,5	1	1
8	4499	645	358	2,5	2	2
9	4462	350	140	16	2	2
10	4463	350	140	16	2	2
11	4496	119	198	18	1	2
12	4497	119	198	18	1	2
13	4486	300	696	18	1	2
14	4487	300	696	18	1	2
15	4494	1367	371	16	1	2
16	4495	1401	60	19	1	2
17	4502	635	123	16	2	2


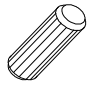



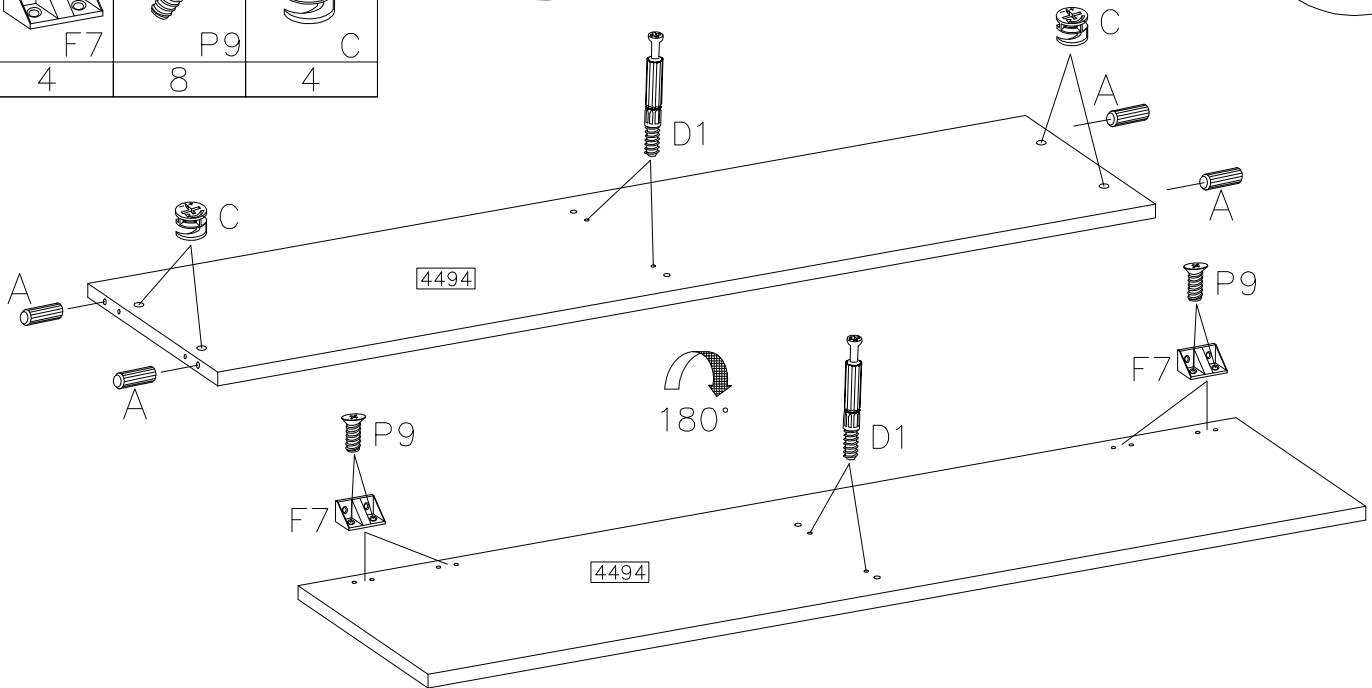
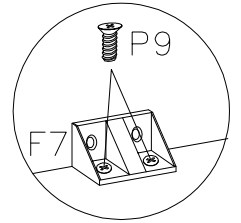
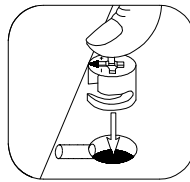
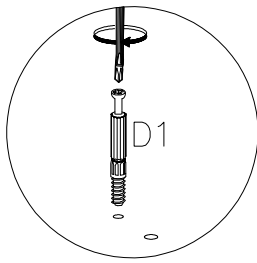
A Ø8x30mm	B Ø15/12mm	C	D1	E	E1	F4	F7	L P PR1		
28	6	18	18	18	6	5	9	2KPL		
L	N	O	P1 Ø3.0x16mm	P4 Ø3.5x16mm	P3 Ø4.0x30mm	P7 Ø3.0x20mm	P10 5.0x9mm	P9 Ø5.0x13mm	R2 M4.0x22mm	S1
8	2	1	28	6	20	4	18	26	4	2
U Ø6.0x50mm		Z		Z3						
8		2		2						



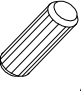
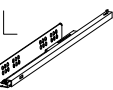
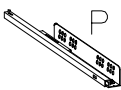


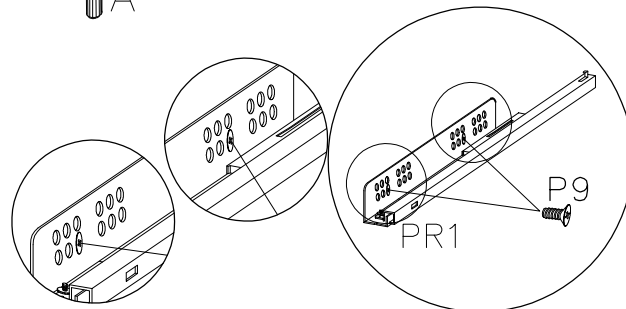
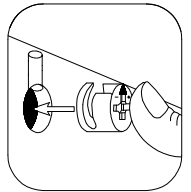
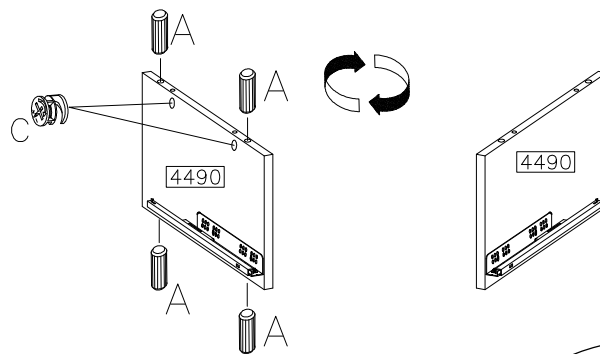
4

	$\varnothing 8 \times 30 \text{mm}$
D1	A
4	4
	$\varnothing 5.0 \times 13 \text{mm}$
F7	P9
4	8
	$\varnothing 15 / 12 \text{mm}$
	C
4	4

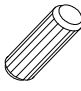



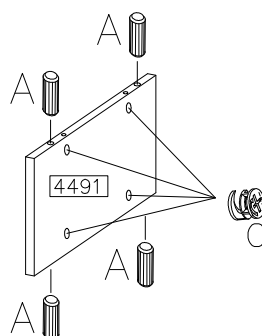
5

$\varnothing 8 \times 30 \text{mm}$	
A	
4	
$\varnothing 15 / 12 \text{mm}$	$\varnothing 5.0 \times 13 \text{mm}$
C	P9
2	4
	
	PR1
1KPL	

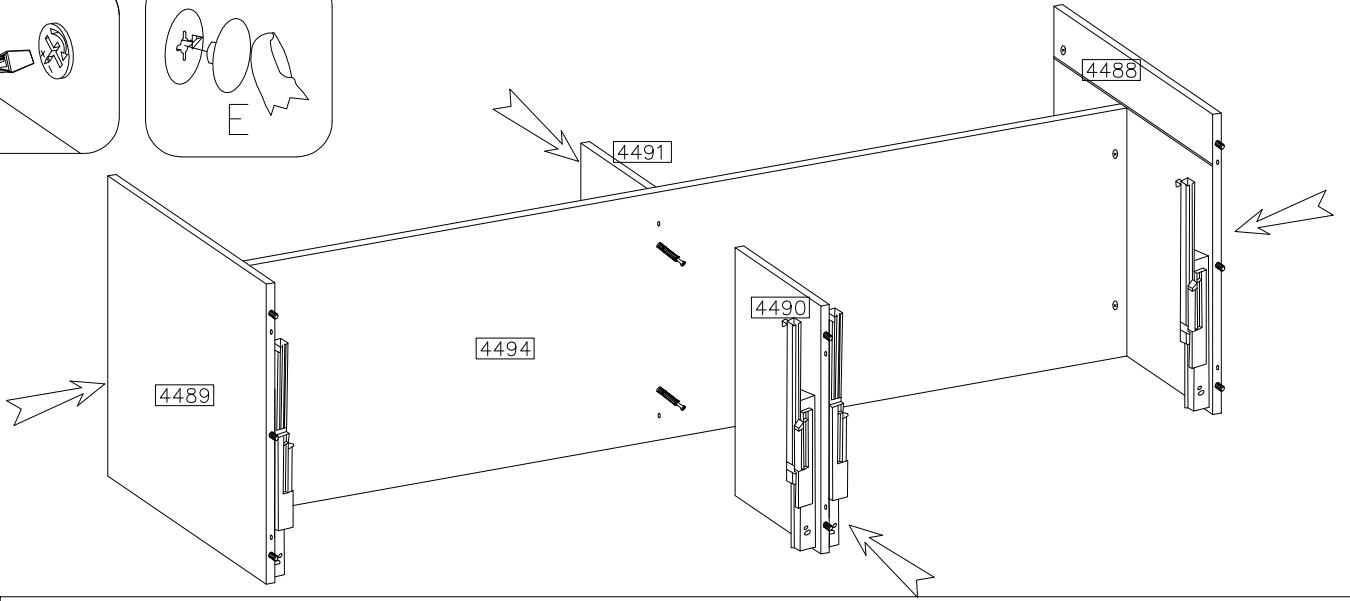
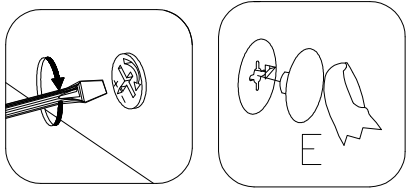
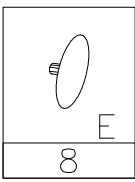


6

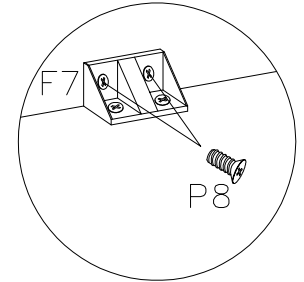
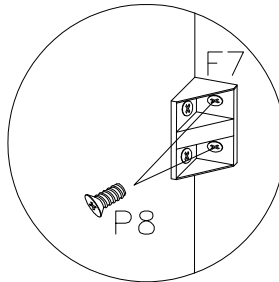
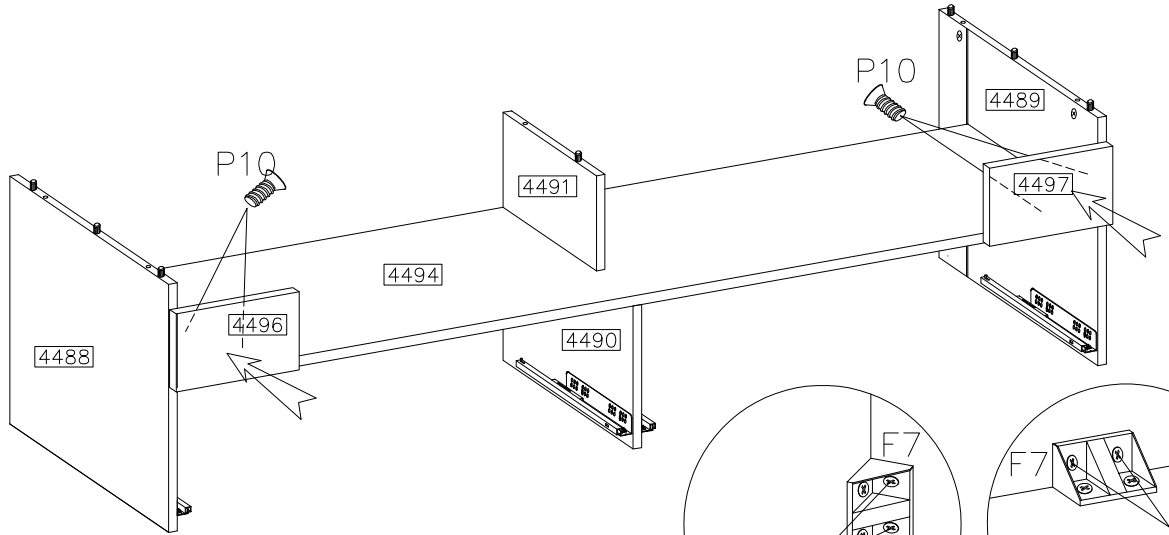
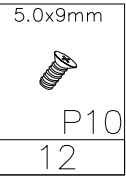
$\varnothing 8 \times 30 \text{mm}$	$\varnothing 15 / 12 \text{mm}$
	
A	C
4	4



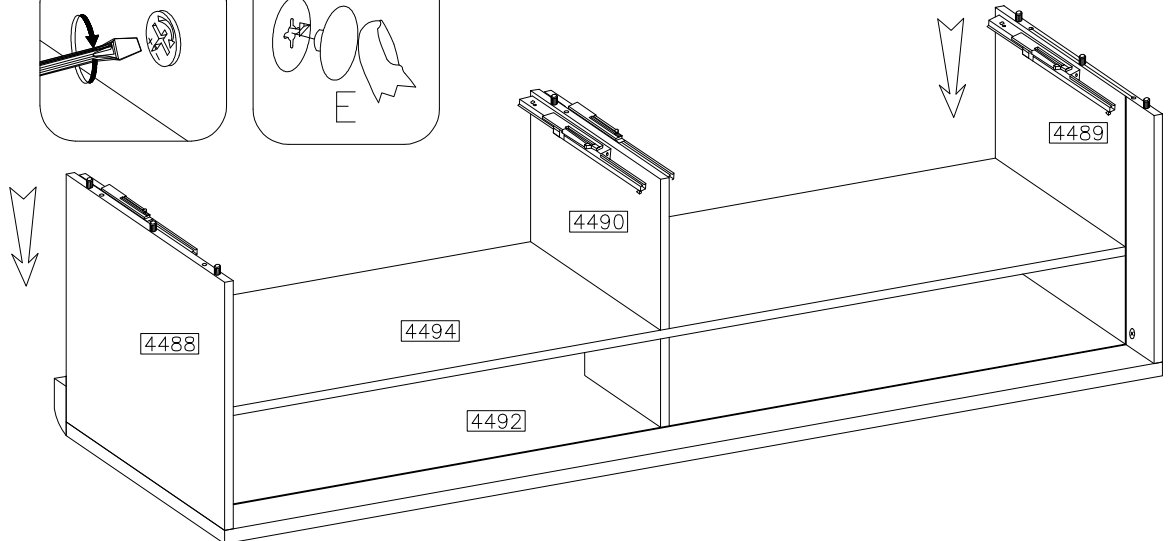
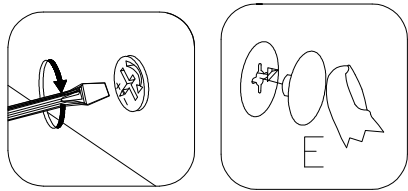
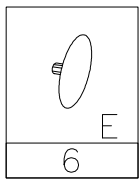
7






8

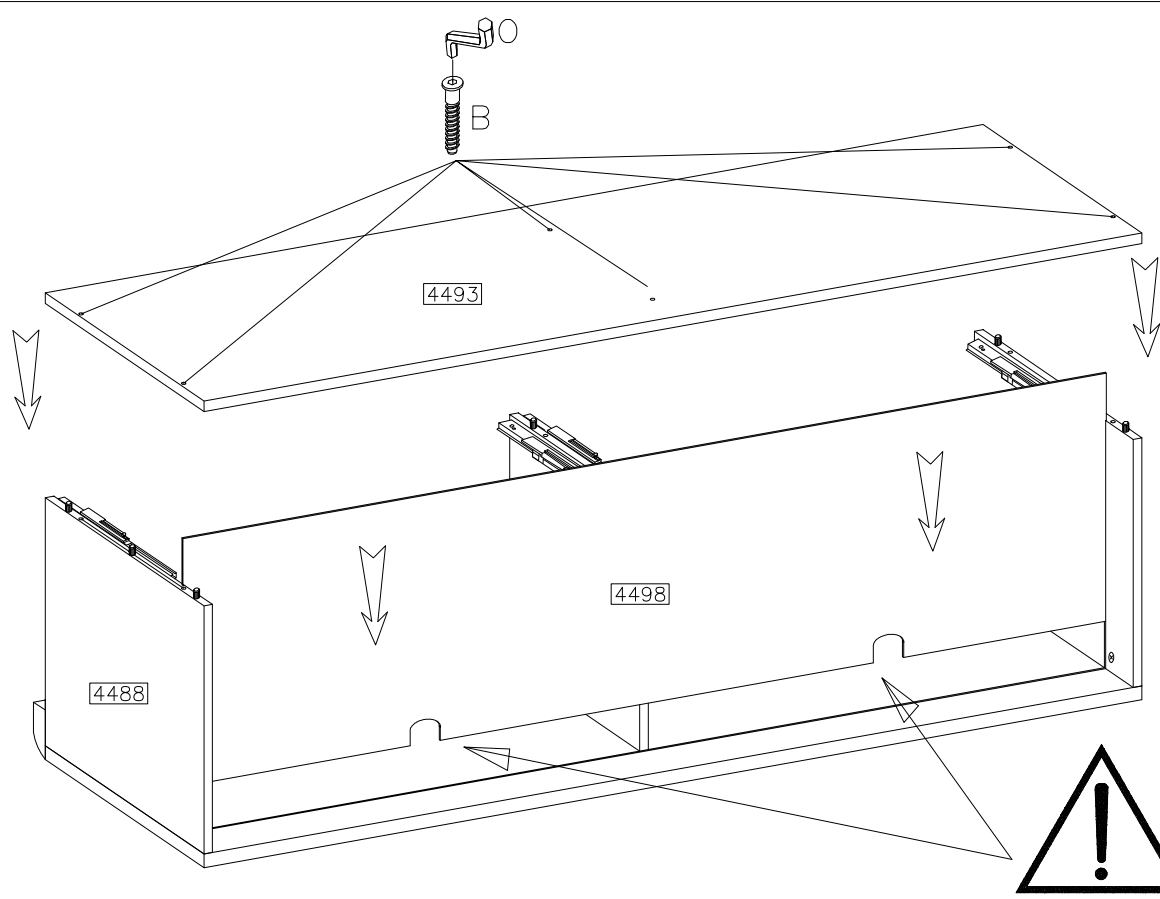


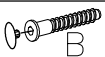
9



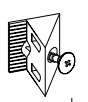
10

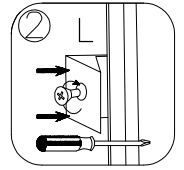
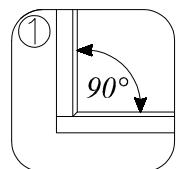
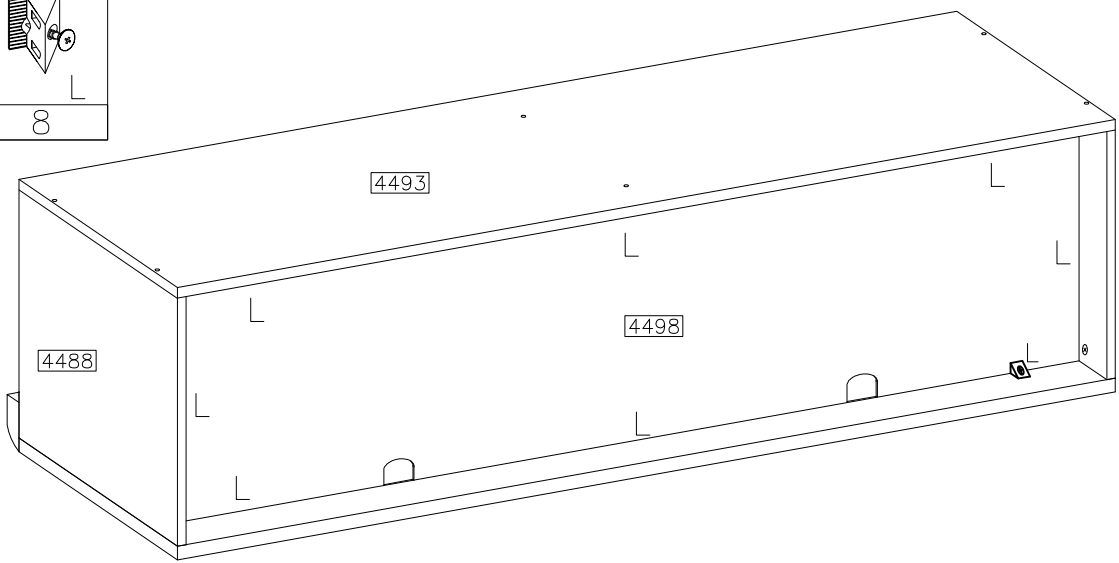
-  B
- 6
-  O
- 6
-  E1
- 6



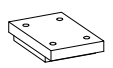

-  E1
- B

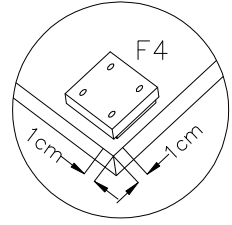
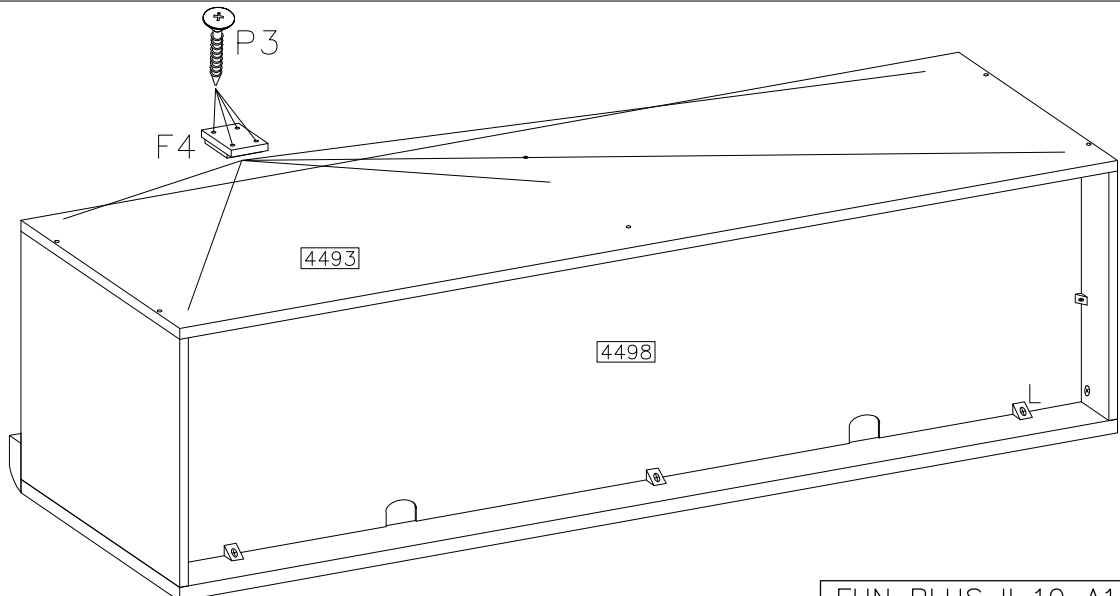
11

-  L
- 8



12

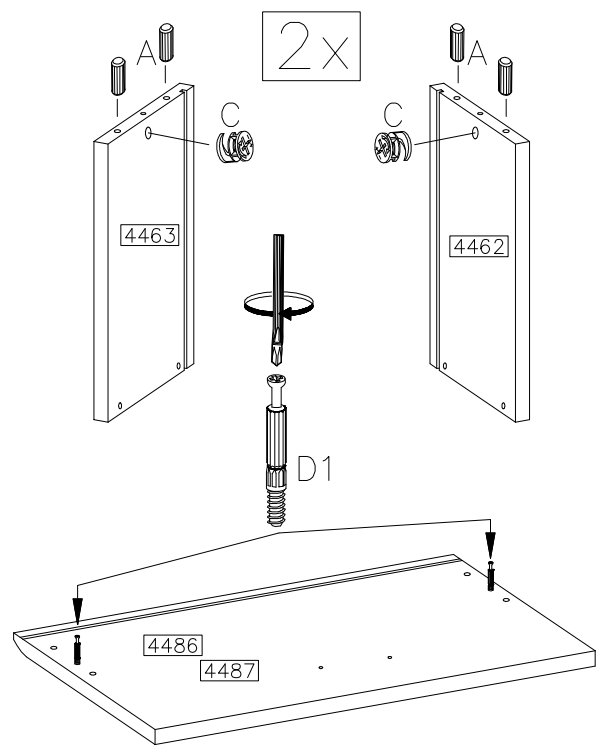
-  F4
- 5
- $\varnothing 4.0 \times 30 \text{mm}$
-  P3
- 20



13

2x

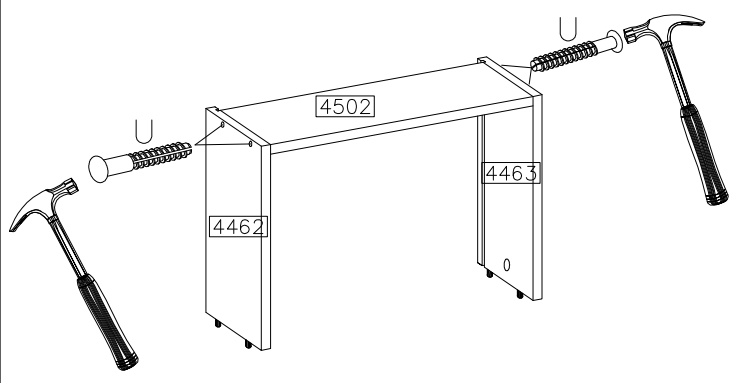
- ø8x30mm
A
8
- ø15/12mm
C
4
- D1
4



14

2x

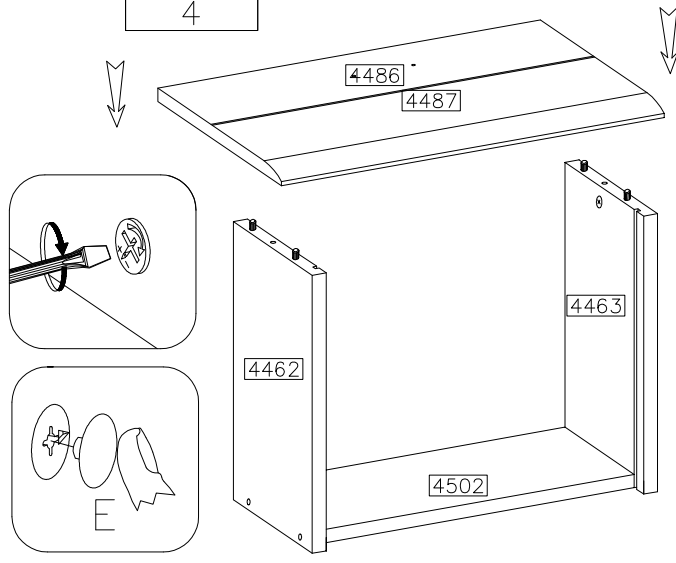
- U
8



15

2x

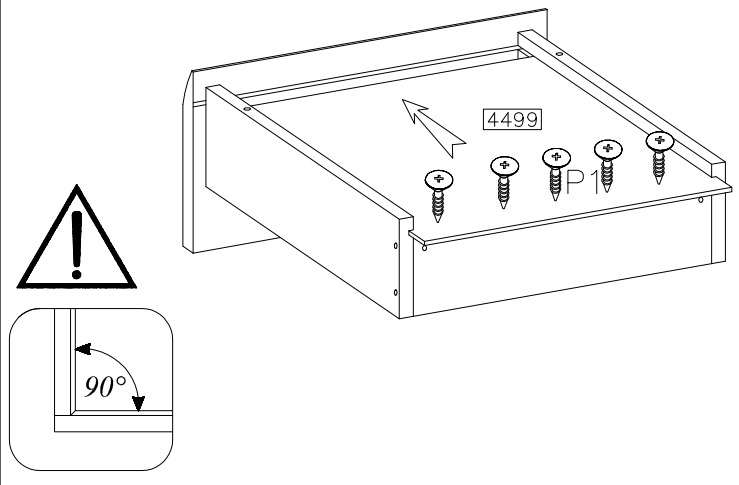
- E
4



16

2x

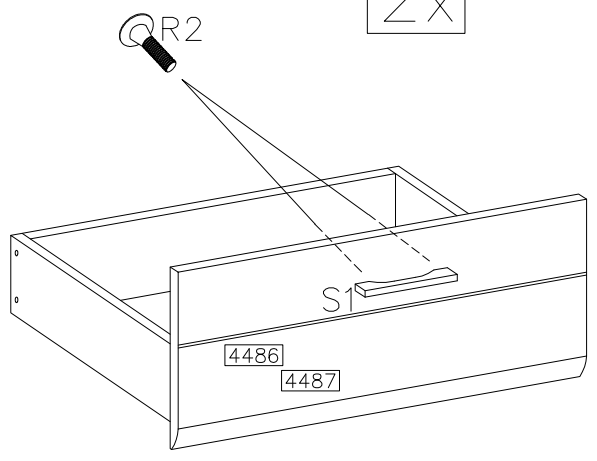
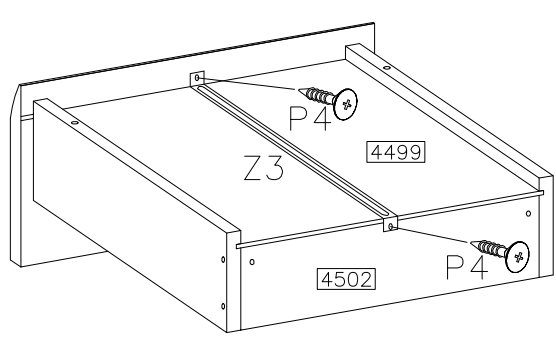
- ø3.0x16mm
P1
28




17

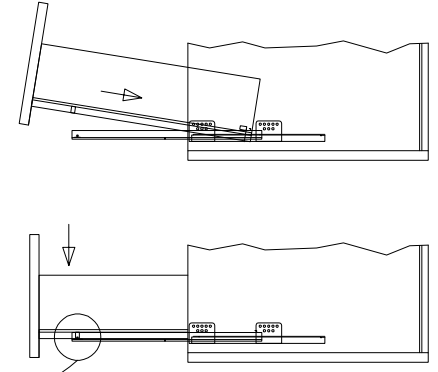
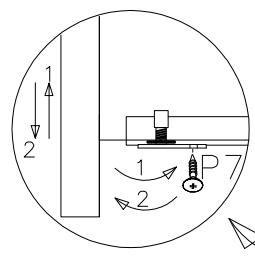
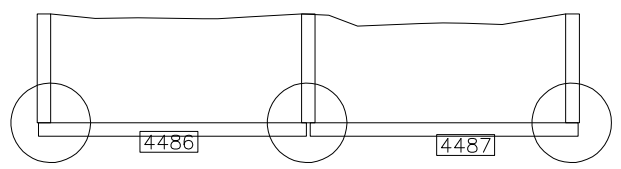
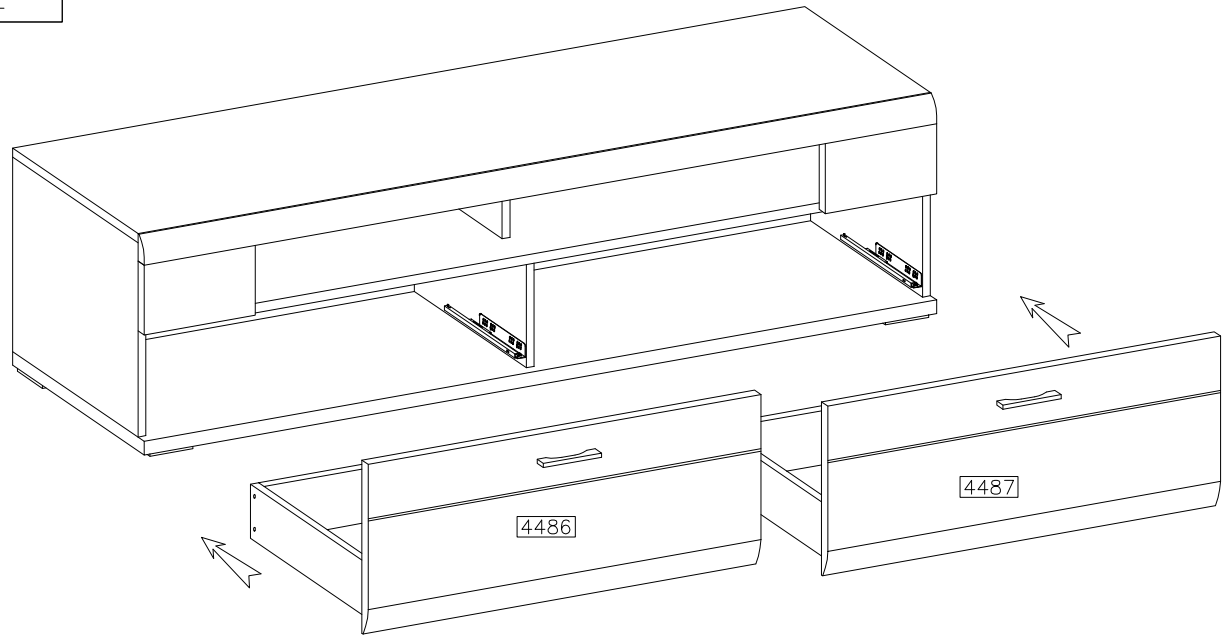
2x

- S1
2
- M4.0x22mm R2
4
- ø3.5x16mm P4
4
- Z3
2




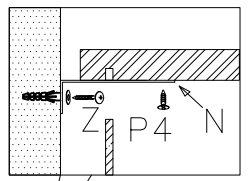
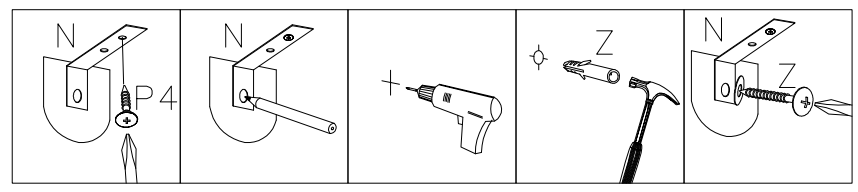
18

ø3.0x20mm

 P7
 4




19


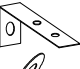
ø6.0x50mm

 Z
 2



ø6 WALL DRILL



ø3.5x16mm

P4 N

2 2

